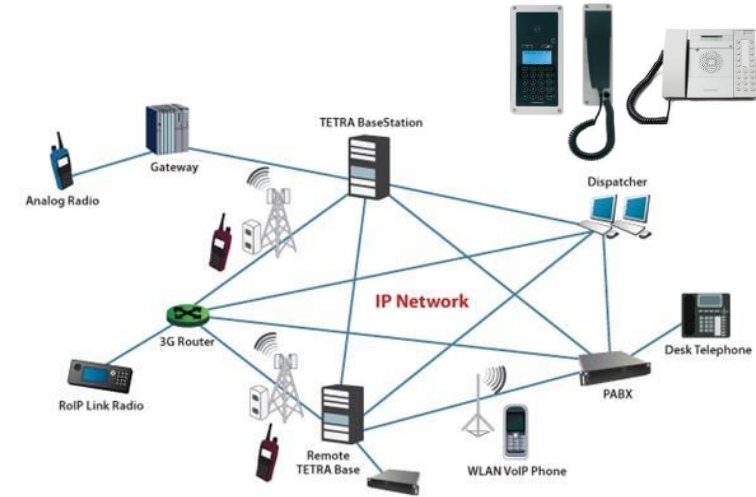
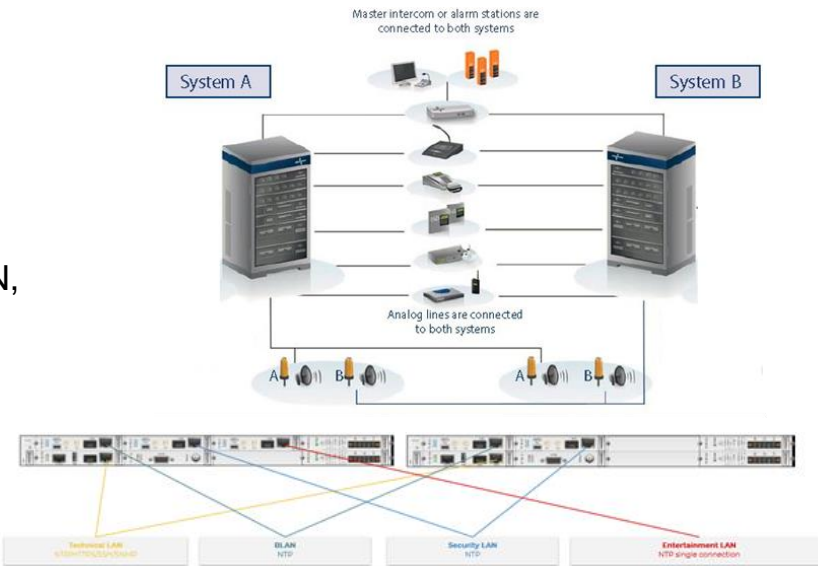
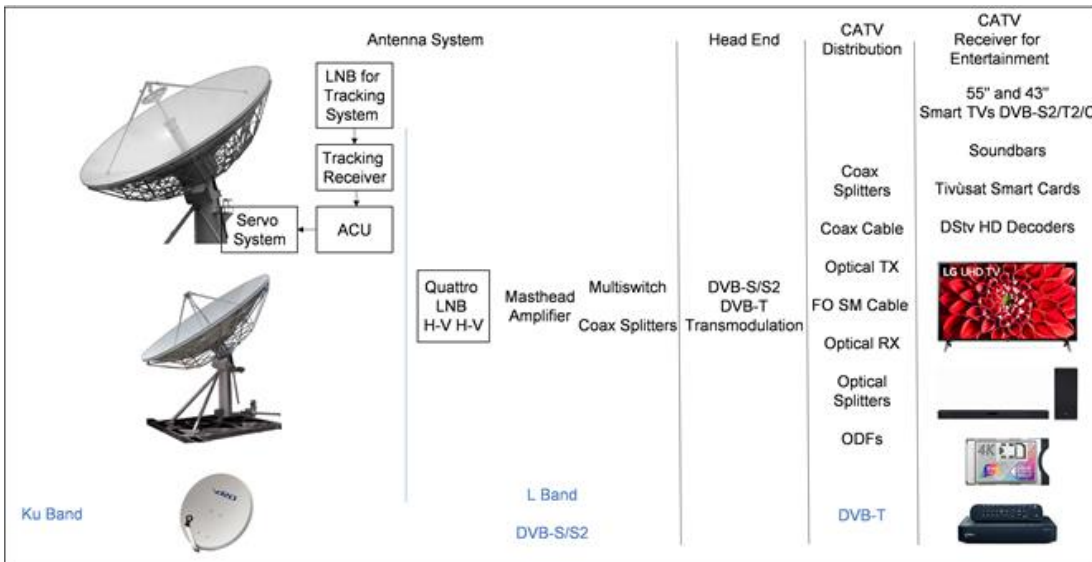
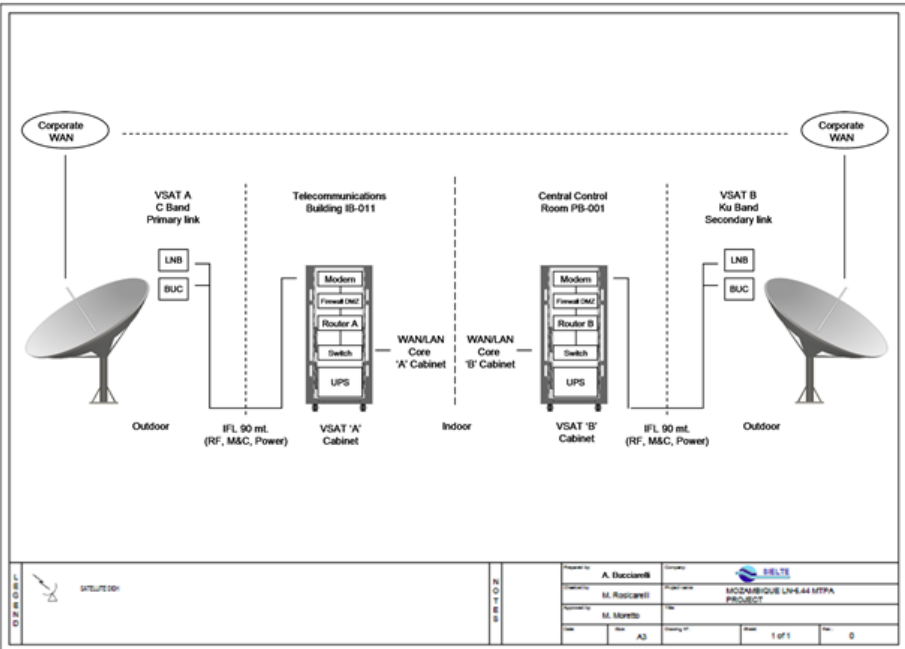
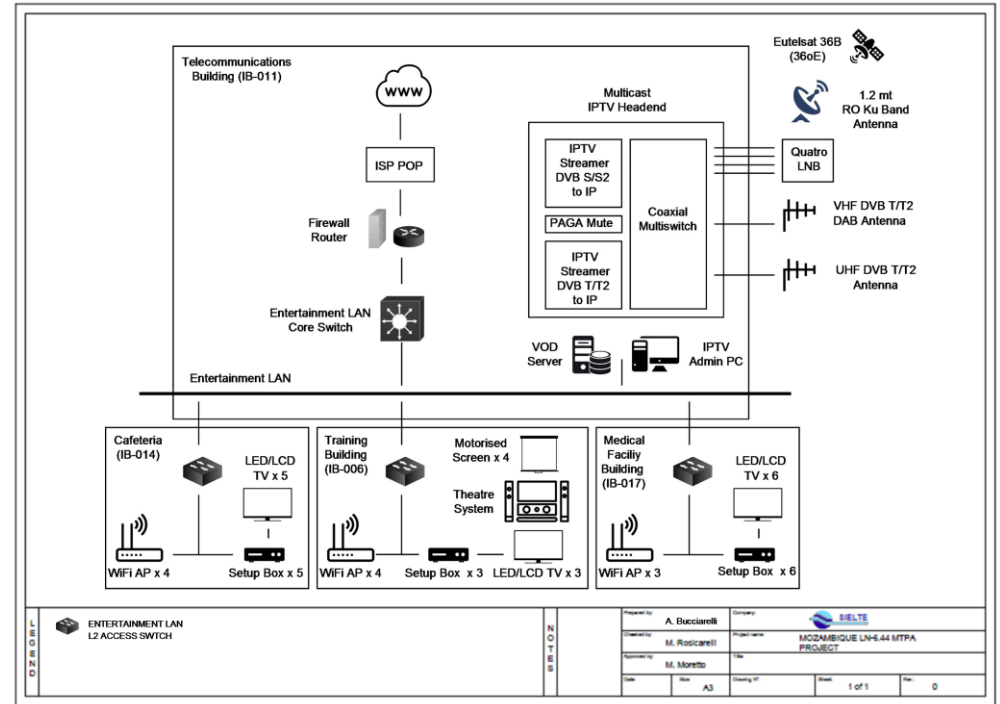
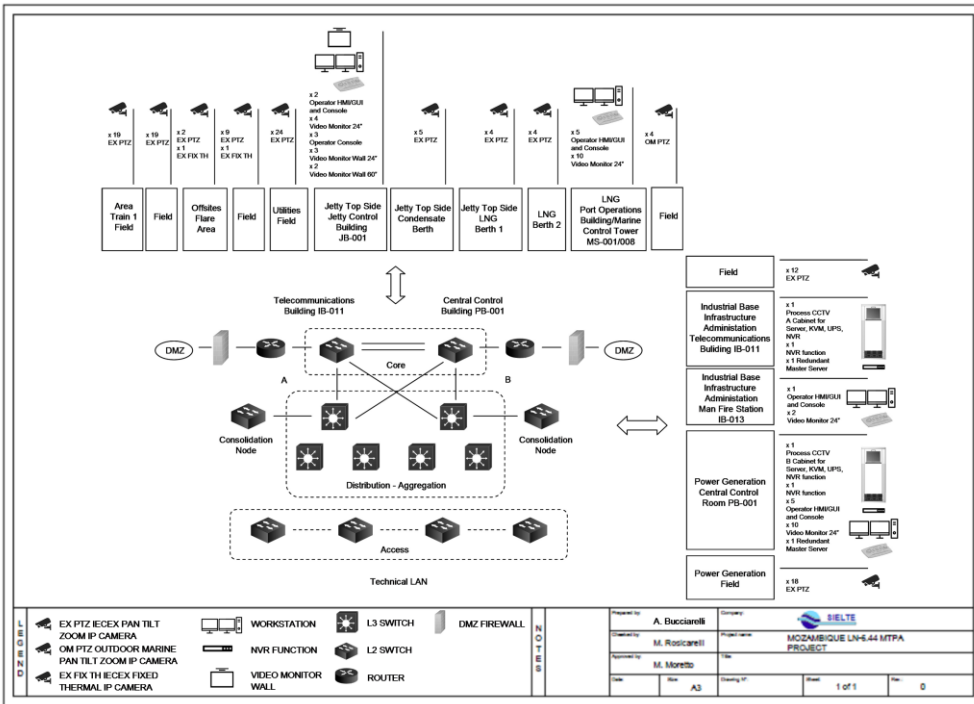


ICT/TLC/Digital for offshore/onshore Oil&Gas and ESCO

- PAGA / PAVA
- Radio (UHF Tetra and VHF Marine) System
- Radio System - Towers
- VSAT System
- Computing Environmental System (Business LAN, Technical LAN, Security LAN)
- GPS Master/Slave Clock system
- IT LAN-WAN Telephony System
- Hotline phone System
- Process CCTV System
- Security and Surveillance
 - Access Control System (ACS) / Personnel-Vehicle Entry/Egress / Under Vehicle Inspection / Personnel Baggage Scanning / Intrusion Detection System (IDS)
- Marine Environmental Monitoring System (MEMS)
 - Wind speed and direction / Air Temperature and humidity / Dew point / Air pressure / Sea current, direction and tide / Wave height, period and direction / Tidal elevation / Water salinity at the dock / Water temperature at the dock / Visibility sensor / Cloud Cover / Doppler Weather Radar
- Entertainment System
- Vessel Traffic Monitoring System (VTMS)
 - Marine CCTV System / Radio Direction Finder / AIS Base Station / Central Server / Audio Registration Server / Sensor Server / Radar Sensor / Radar Processor / VHF Marine Radio / Emergency Voice Recorder / Marine Environmental Monitoring System / Operator Workstation / Interface to Network Management System
- SCADA
- IoT





9 mt. Eutelsat Hotbird 13 °E / 4.5 mt. Nilesat / 1 mt. DStv